

E-mark



SAE

ADR

CE

RoHS

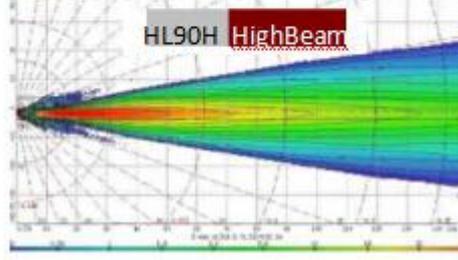
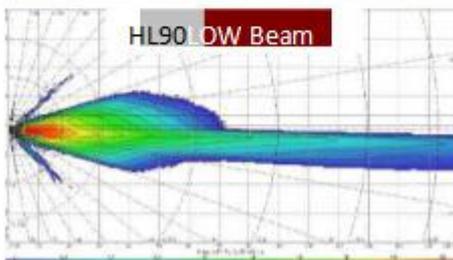


HL90 series Φ 90mm LED Headlamp

E-mark RoHS CE



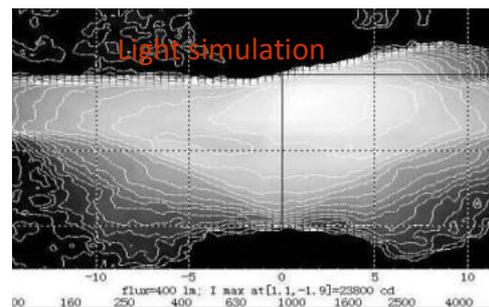
Description: Application of the latest patent technology, (Patent No, ZL201320050551.X), Comply with ECE/SAE/GB standards, novel optic Design, low consumption, 18W only, international leading technology level, more energy saving. Good idea for new energy vehicle industry.



- ◇ Function: low beam & high beam
- ◇ Operating voltage: 9~33V DC
- ◇ Operating temperature: -40~80°C
- ◇ Light source: LED OSRAM
- ◇ Power consumption: 18W max
- ◇ Comply with ECE R112/GB14599
- ◇ EMC: ECE R10.04 & IEC CIS PR25
- ◇ Outer Lens: UV resistant PC for automotive, special coating for scratch resistance
- ◇ Precision die-cast aluminum base
- ◇ IP67
- ◇ E-mark approval

Remark: It is available for light level adjustment motor for headlamp, please check with our company

※ HL90 low beam light simulation compare with realistic lamp light output



A95 Series

LED Auto Lamp & Decorated Ring

E-mark  RoHS  CE

Description: Consist of A95 a single LED Auto lamp and a decorated ring (optional part), Fix the lamp and the ring together on the vehicle, easier and beautiful. The color for the decorated ring can be customized to match with the color of the vehicle.



A95-S/T



A95-DI



A95-F



A95-RE



A95-RR



A95-S/T

with decorated ring



A95-DI

with decorated ring



A80-F

with decorated ring



A95-RE

with decorated ring

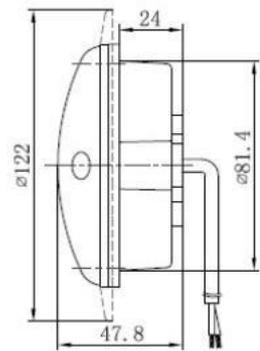
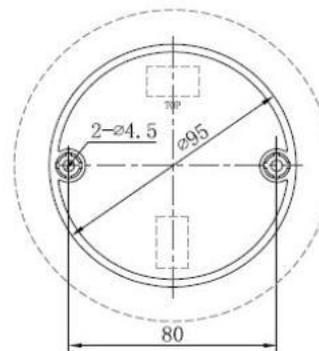
- ◇ Operating Voltage: DC12V or DC24V
- ◇ Operating temperature: -40~65℃
- ◇ IP67
- ◇ E-mark approval
- ◇ Decorated ring is an Optional part, the color for the decorated ring White, Black or Chromed etc.



Decorated ring: white, Black or Chromed

Applications: Widely used on Buses, trailer, truck
Recreational Vehicle and special vehicle

P/N	Part Name	standard	LED QTY	lens	Approval
A95- S/T	Stop/ Tail lamp	ECE/ADR/SAE/GB	Red-14	Red	E-mark 3C
A95-DI	Rear Direction Indicator	ECE/ADR/SAE/GB	Amber-14	Amber	E-mark 3C
A95-RE	Reversing lamp	ECE/ADR/SAE/GB	White-14	white	E-mark 3C
A95-F	Rear Fog lamp	ECE/ADR/SAE/GB	Red-14	Red	E-mark
A95-RR	Retro-reflector	ECE/ADR/SAE/GB		Red	E-mark



C95 Series LED Auto Lamp

E-mark  RoHS  CE

Description: Install and fix the lamp from back side.



C95-S/T/DI



C95-S/T



C95-S/T/RR



C95-DI



C95-FDI



C95-F/RE



C95-RE



C95-F



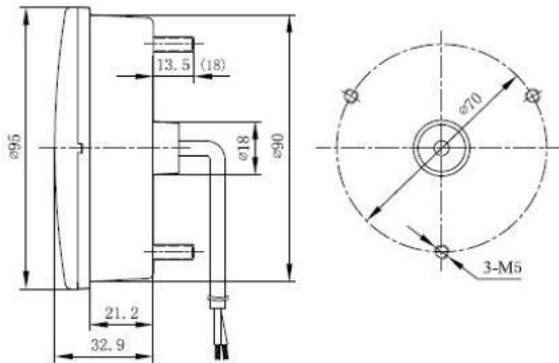
C95-F/RR



C95-FDI/FPL

Specification:

- ◇ Operating Voltage: DC12V or DC24V or DC9~33V
- ◇ Operating temperature: -40~65℃
- ◇ IP67
 - ◇ E-mark Approval & 3C certified



Applications: Widely used on Buses, trailer, truck, Recreational Vehicle and special vehicles

P/N	Part Name	standard	LED QTY	lens	Approval
C95- S/T/DI	Stop/ Tail/Direction Indicator	ECE/ADR/SAE/GB	Red-16 Amber-16	Colored or clear	E-mark 3C
C95-S/T	Stop/ Tail lamp	ECE/ADR/SAE/GB	Red-18	Red or clear	E-mark 3C
C95-S/T/RR	Stop/ Tail lamp with Retro-reflector	ECE/ADR/SAE/GB	Red-16	Red	E-mark
C95-DI	Rear Direction Indicator	ECE/ADR/SAE/GB	Amber-18	Amber or clear	E-mark 3C
C95-FDI	Front Direction Indicator	ECE/ADR/SAE/GB	Amber-32	Clear or Amber	E-mark 3C
C95-F/RE	Rear Fog/Reversing lamp	ECE/ADR/SAE/GB	Red-16 White-16	White or colored	E-mark
C95-RE	Reversing lamp	ECE/ADR/SAE/GB	White-18	white	E-mark 3C
C95-F	Rear Fog lamp	ECE/ADR/SAE/GB	Red-18	Red or white	E-mark
C95-F/RR	Rear Fog with Retro-reflector	ECE/ADR/SAE/GB	Red-16	Red	E-mark 3C
C95-FDI/FPL	Front Direction Indicator /Front Position lamp	ECE/ADR/SAE/GB	Amber-16 White-16	white	3C

C95B Series LED Auto Light

E-mark  RoHS  CE

Description: Consist of C95B a single LED Auto lamp and a decorated ring, more beautiful. The color for the ring can be customized to match the color of the vehicle. Recessed installation, fixed from front side or back side of the lamp.

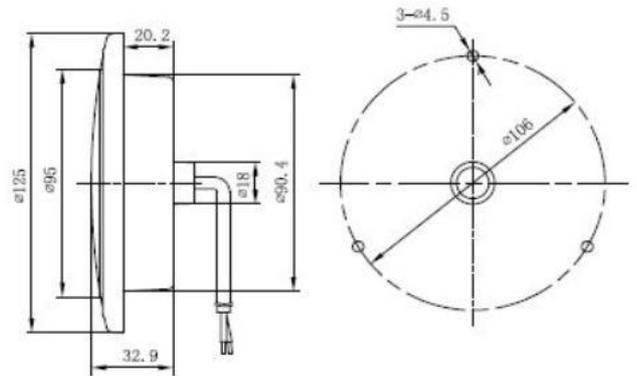


Specification:

- ◇ Operating Voltage: DC12V or DC24V or DC9~33V
- ◇ Operating temperature: -40~65°C

- ◇ IP67
- ◇ E-mark Approval & 3C certificated

Application: Widely used on Buses, trailer, truck, Recreational Vehicle and special vehicles



P/N	Part Name	standard	LED QTY	lens	Approval
C95B- S/T/DI	Stop/ Tail/Direction Indicator	ECE/ADR/SAE/GB	Red-16 Amber-16	Colored or clear	E-mark 3C
C95B-S/T	Stop/ Tail lamp	ECE/ADR/SAE/GB	Red-18	Red or clear	E-mark 3C
C95B-S/T/RR	Stop/ Tail lamp with Retro-reflector	ECE/ADR/SAE/GB	Red-16	Red	E-mark
C95B-DI	Rear Direction Indicator	ECE/ADR/SAE/GB	Amber-18	Amber or clear	E-mark 3C
C95B-FDI	Front Direction Indicator	ECE/ADR/SAE/GB	Amber-32	Clear or Amber	E-mark 3C
C95B-F/RE	Rear Fog/Reversing lamp	ECE/ADR/SAE/GB	Red-16 White-16	White or colored	E-mark
C95B-RE	Reversing lamp	ECE/ADR/SAE/GB	White-18	white	E-mark 3C
C95B-F	Rear Fog lamp	ECE/ADR/SAE/GB	Red-18	Red or white	E-mark
C95B-F/RR	Rear Fog with Retro-reflector	ECE/ADR/SAE/GB	Red-16	Red	E-mark 3C
C95B-FDI/FPL	Front Direction Indicator /Front Position lamp	ECE/ADR/SAE/GB	Amber-16 White-16	white	3C

Description: Surface mounting.



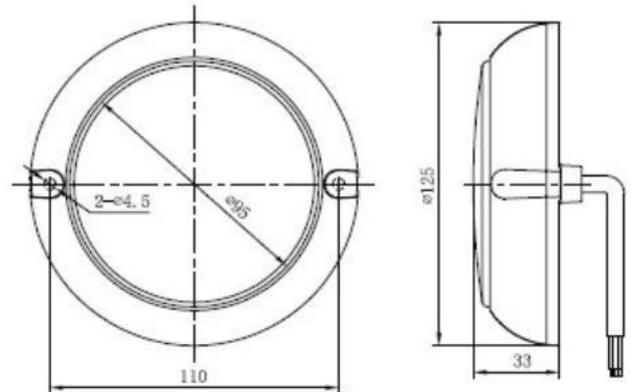
Specification:

- ◇ Operating Voltage: DC12V or DC24V or DC9~33V
- ◇ Operating temperature: -40~65℃

◇ IP67

◇ E-mark Approval & 3C certificated

Applications: Widely used on Buses, trailer, truck, Recreational Vehicle and special vehicle



P/N	Part Name	standard	LED QTY	lens	Approval
C95- S/T/DI	Stop/ Tail/Direction Indicator	ECE/ADR/SAE/GB	Red-16 Amber-16	Colored or clear	E-mark 3C
C95-S/T	Stop/ Tail lamp	ECE/ADR/SAE/GB	Red-18	Red or clear	E-mark 3C
C95-S/T/RR	Stop/ Tail lamp with Retro-reflector	ECE/ADR/SAE/GB	Red-16	Red	E-mark
C95-DI	Rear Direction Indicator	ECE/ADR/SAE/GB	Amber-18	Amber or clear	E-mark 3C
C95-FDI	Front Direction Indicator	ECE/ADR/SAE/GB	Amber-32	Clear or Amber	E-mark 3C
C95-F/RE	Rear Fog/Reversing lamp	ECE/ADR/SAE/GB	Red-16 White-16	White or colored	E-mark
C95-RE	Reversing lamp	ECE/ADR/SAE/GB	White-18	white	E-mark 3C
C95-F	Rear Fog lamp	ECE/ADR/SAE/GB	Red-18	Red or white	E-mark
C95-F/RR	Rear Fog with Retro-reflector	ECE/ADR/SAE/GB	Red-16	Red	E-mark 3C
C95C-FDI/FPL	Front Direction Indicator /Front Position lamp	ECE/ADR/SAE/GB	Amber-16 White-16	white	3C

A122 Series LED Auto Light

E-mark  RoHS  CE



A122-S/T/DI



A122-S/T/DI/RR



A122-S/T



A122-DI



A122-F/RE



A122-F/RE/RR
A122-RE/RR



A122-RE

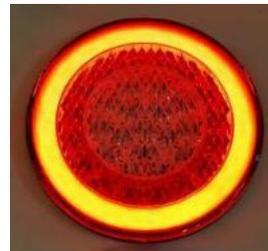


A122-F

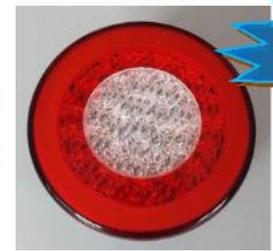
Specification:

- ◇ Operating Voltage: DC12V or DC24V or DC9~33V
- ◇ Operating temperature: -40~65°C
- ◇ IP67
- ◇ E-mark Approval

Applications: Widely used on Buses, trailer, truck, Recreational Vehicle and special vehicle



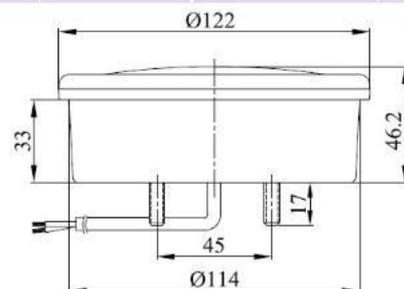
A122-S/T/DI-II



Light guide for Tail lamp



P/N	Part Name	standard	LED QTY	lens	Approval
A122-S/T/DI	Stop/ Tail/DI	ECE/ADR/SAE/GB	Red-18 Amber-32	Colored	E-mark
A122-S/T/DI-II	Stop/ Tail/DI type II Light guide for Tail lamp	ECE/ADR/SAE/GB	Red-18+16 Amber-16	Colored	E-mark
A122-S/T/DI/RR	Stop/ Tail lamp/DI with Retro-reflector	ECE/ADR/SAE/GB	Red-16 Amber-16	Colored	E-mark
A122-S/T	Stop/ Tail lamp	ECE/ADR/SAE/GB	Red-21	Red	E-mark
A122-DI	Rear Direction Indicator	ECE/ADR/SAE/GB	Amber-21	Amber	E-mark
A122-F/RE	Rear Fog/Reversing lamp	ECE/ADR/SAE/GB	Red-18 White-32	White or colored	E-mark
A122-F/RE/RR	Rear Fog/Reversing lamp with Retro-reflector	ECE/ADR/SAE/GB	Red-16 White-16	Colored	E-mark
A122-RE/RR	Reversing lamp with Retro-reflector	ECE/ADR/SAE/GB	White-16	Colored	E-mark
A122-RE	Reversing lamp	ECE/ADR/SAE/GB	White-21	Clear	E-mark
A122-F	Rear Fog lamp	ECE/ADR/SAE/GB	Red-21	Red	E-mark



A122B Series

LED Auto Lamp

E-mark  RoHS  CE

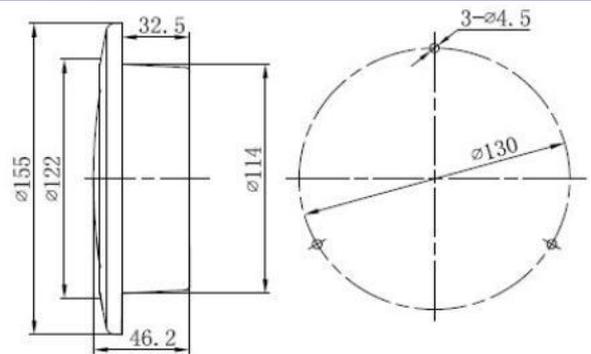
Description: Consist of A122B a single LED Auto lamp and a decorated ring, more beautiful. The color for the ring can be customized to match with the color of the vehicle. Recessed installation, fixed from front side or back side of the lamp.



Specification:

- ◇ Operating Voltage: DC12V, DC24V or DC9~33V
- ◇ Operating temperature: -40~65°C
- ◇ IP67
- ◇ E-mark Approval

Applications: Widely used on Buses, trailer, truck , Recreational Vehicle and special vehicle



P/N	Part Name	standard	LED QTY	lens	Approval
A122B-S/T/DI	Stop/ Tail/Direction Indicator	ECE/ADR/SAE/GB	Red-18 Amber-32	Colored	E-mark
A122B-S/T/DI/RR	Stop/ Tail/Direction Indicator with Retro-reflector	ECE/ADR/SAE/GB	Red-16 Amber-16	Colored	E-mark
A122B-S/T	Stop/ Tail lamp	ECE/ADR/SAE/GB	Red-24	Red	E-mark
A122B-DI	Rear Direction Indicator	ECE/ADR/SAE/GB	Amber-24	Amber	E-mark
A122B-F/RE	Rear Fog/Reversing lamp	ECE/ADR/SAE/GB	Red-18 White-32	White or colored	E-mark
A122B-F/RE/RR	Rear Fog/Reversing lamp with Retro-reflector	ECE/ADR/SAE/GB	Red-16 White-16	Colored	E-mark
A122B-RE/RR	Reversing lamp with Retro-reflector	ECE/ADR/SAE/GB	White-16	Colored	E-mark
A122B-RE	Reversing lamp	ECE/ADR/SAE/GB	White-24	Clear	E-mark
A122B-F	Rear Fog lamp	ECE/ADR/SAE/GB	Red-24	Red	E-mark

C140/C140B Series

LED Auto Light

E-mark RoHS CE

Description: Consist of C140 a single LED Auto lamp and a mounting housing. First fix the mounting housing on the vehicle, then fix the lamp on the housing.



C140-S/T/DI
C140B-S/T/DI



C140-RE
C140B-RE



C140-F
C140B-F
C140B-S/T



mounting housing



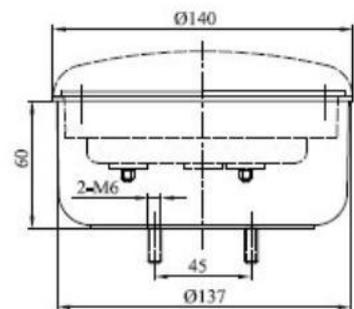
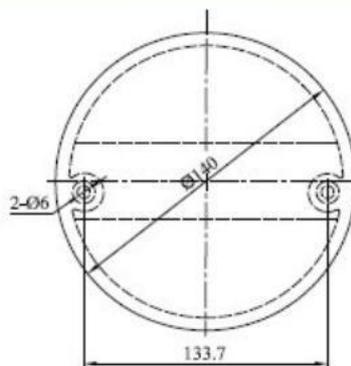
Back side
with 6.3mm Terminal

Specification:

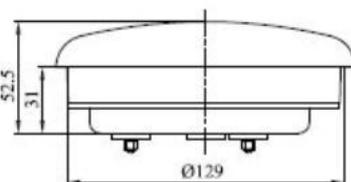
- ◇ Operating Voltage: DC12V or DC24V or DC9~33V
- ◇ Operating temperature: -40~65°C
- ◇ IP67
- ◇ E-marked

Applications: Widely used on Buses, trailer, truck
Recreational Vehicle and special vehicle

P/N	Part Name	standard	LED QTY	lens	Approved
C140-S/T/DI	Stop/ Tail/Direction Indicator	ECE/ADR/SAE/GB	Red-40 Amber-23	Colored	E-mark
C140B-S/T/DI	Stop/ Tail/Direction Indicator	ECE/ADR/SAE/GB	Red-18 Amber-14	Colored	E-mark
C140-RE	Reversing lamp	ECE/ADR/SAE/GB	White-61	Clear	E-mark
C140B-RE	Reversing lamp	ECE/ADR/SAE/GB	White-32	Clear	E-mark
C140-F	Rear Fog lamp	ECE/ADR/SAE/GB	Red-61	Red	E-mark
C140B-F	Rear Fog lamp	ECE/ADR/SAE/GB	Red-32	Red	E-mark
C140B-S/T	Stop/ Tail lamp	ECE/ADR/SAE/GB	Red-32		



Mounting housing



A80 Series LED Auto Lamp

E-mark RoHS CE

Description: Install and fix the lamp from back side.



A80-S/T/DI



A80-F/RE



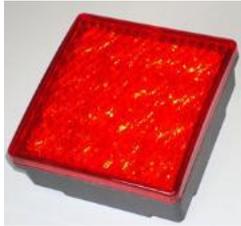
A80-T/RR



A80-FDI/FPL



Back side



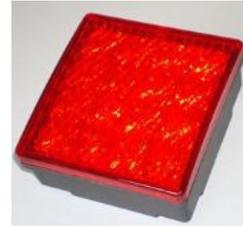
A80-S/T



A80-DI



A80-RE



A80-F



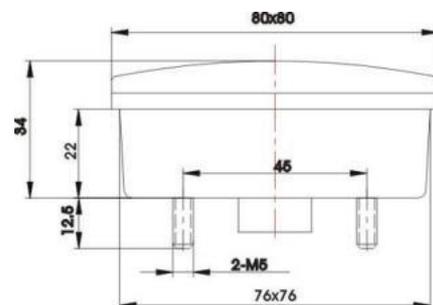
A80-T/DI

P/N	Part Name	standard	LED QTY	Lens	Approved
A80- S/T/DI	Stop/ Tail/Direction Indicator	ECE/ADR/SAE/GB	Red-12 Amber-12	Red+Amber	E-mark
A80-F/RE	Rear Fog/Reversing lamp	ECE/ADR/SAE/GB	Red-18 White-15	Clear	E-mark
A80-T/RR	Tail lamp with Retro-reflector	ECE/ADR/SAE/GB	Red-8	Red	E-mark
A80-FDI/FPL	Front Direction Indicator	ECE/ADR/SAE/GB	White-6 Amber-27	Clear	E-mark
A80-S/T	Stop/ Tail lamp	ECE/ADR/SAE/GB	Red-16	Red or Clear	E-mark
A80-DI	Rear Direction Indicator	ECE/ADR/SAE/GB	Amber-16	Amber or Clear	E-mark
A80-RE	Reversing lamp	ECE/ADR/SAE/GB	White-16		E-mark
A80-F	Rear Fog lamp	ECE/ADR/SAE/GB	Red-16	Red or Clear	E-mark
A80-T/DI	Rear Direction Indicator	ECE/ADR/SAE/GB	Red-8 Amber-12	clear	E-mark

Specification:

- ◇ Operating Voltage: DC12V or DC24V or DC9~33V
- ◇ IP67
- ◇ Operating temperature: -40~65℃
- ◇ E-mark approval

Applications: Widely used on, trailer, truck ,
Recreational Vehicle and special vehicle



A80B Series LED Vehicle Lamp

E-mark RoHS CE

Description: Combined with lamp and surface mounting housing, firstly fix the mounting housing on the body of vehicle, secondly, to push the lamp into the surface mounting housing. Just use a screwdriver to uninstall the lamp.



P/N	Name	Standard	LED	Outer Lens	Approval
A80B- S/T/DI	Stop/Tail/Direction Indicator	ECE/ADR/SAE/GB	Red-12 Amber-12	Red+Amber	E-mark
A80B-F/RE	Rear Fog/Reverse lamp	ECE/ADR/SAE/GB	Red-18 White-15	Clear	E-mark
A80B-T/RR	Rear position lamp with reflector	ECE/ADR/SAE/GB	Red-8	Red	E-mark
A80B-FDI/FPL	Front Direction Indicator/Front position lamp	ECE/ADR/SAE/GB	White-6 Amber-27	Clear	E-mark
A80B- S/T	stop/Tail lamp	ECE/ADR/SAEGB	Red-16	Red or Clear	E-mark
A80B-DI	Rear direction indictor	ECE/ADR/SAE/GB	Amber-16	Amber or Clear	E-mark
A80B-RE	Reverse lamp	ECE/ADR/SAE/GB	White-16	Clear	E-mark
A80B-F	Rear Fog lamp	ECE/ADR/SAE/GB	Red-16	Red or Clear	E-mark
A80B-T/DI	Rear position/Rear direction indicator	ECE/ADR/SAE/GB	Red-8 Amber-12	Clear	E-mark

Specification:

- ◇ Operating Voltage: DC12V or DC24V or DC9~33V
- ◇ IP67
- ◇ Operating temperature: -40~65℃
- ◇ E-mark approval

Application: Widely used on Buses, trailer, truck,
Recreational Vehicle and special vehicle

A80B Series

Multi-Functional Rear Lamp

E-mark RoHS CE

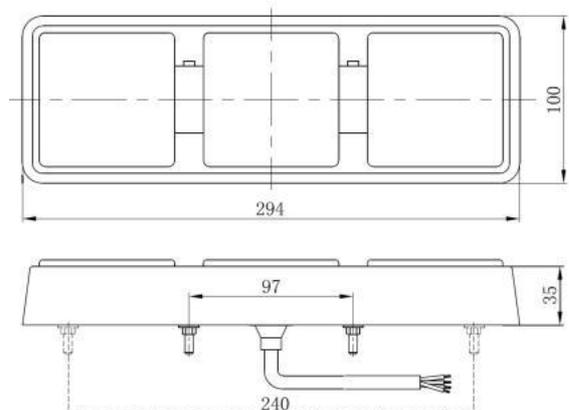
Description: Combined with a couple of A80B single LED lamp and surface mounting housing. Firstly fix the mounting housing on the body of vehicle, secondly, to push the lamp into the surface mounting housing, Just use a screwdriver to uninstall the lamp. Combine whatever you want. Tables as below for your reference:

P/N	Name	Picture	Remark
A80B- DI/S/T/RE:	Direction Indicator+Stop/Tail +Reverse Lamp		For both side right and left of vehicle no Rear Fog lamp
A80B-S/T/DI/RE	Stop/Tail+ Direction Indicator +Reverse lamp		For right side of vehicle only
A80B-S/T/DI/F	Stop/Tail+Direction Indicator+ Rear Fog Lamp		For left side of vehicle only
A80B-S/T/DI/F/RE/ RR	Stop/Tail/Direction Indicator+ Rear Fog/Reverse+ Retro-reflector		For both side right and left of vehicle
A80B-S/T/DI/F/RE	Stop/Tail+Direction Indicator+ Rear Fog/Reverse lamp		For both side right and left of vehicle
	Surface Mounting housing		PC+ABS Black

Specification:

- ◇ Operating Voltage: DC12V or DC24V or DC9~33V
- ◇ Operating temperature: -40~65 °C
- ◇ Light source: high efficiency LED
- ◇ IP67
- ◇ Comply with ECE/ADR/SAE/GB requirements
- ◇ E-Mark Approval

Application: Widely used on Buses, trailer, truck , Recreational Vehicle and special vehicle



C55 Series

LED Auto Lamp

New

E-mark RoHS CE



C55-F



C55-RE



C55-DI



C55-FDI

P/N	Name	Standard	LED	Outer Lens	Approval
C55-F	Rear Fog lamp	ECE/ADR/SAE/GB	4W	Red or Clear	E-mark
C55-RE	Reversing lamp	ECE/ADR/SAE/GB	2W	Clear	E-mark
C55-DI	Rear Direction Indicator	ECE/ADR/SAE/GB	2W	Amber	E-mark
C55-FDI	Front Direction Indicator	ECE/ADR/SAE/GB	4W	Clear or Amber	E-mark

- ◇ Operating Voltage: DC12V, DC24V or DC9~33V
- ◇ Operating temperature: -40~65℃
- ◇ IP67
- ◇ E-mark approval

Application: Widely used on Buses, trailer, truck, Recreational Vehicle and special vehicle

AL1330

LED End-outline lamp

New



P/N: AL1330-G Grey housing



P/N: AL1330-W white housing



P/N: AL1330-B Black housing

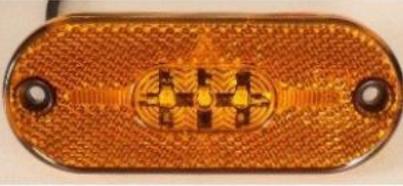
Specification:

- ◇ Operating Voltage: DC12V, DC24V or DC9~33V
- ◇ Operating temperature: -40~65℃
- ◇ Light source: 3 Red+3 white SMT LEDs
- ◇ IP67
- ◇ Comply with ECE/SAE/ADR/GB Requirement
- ◇ E-mark approval

Application: Widely used on Buses, trailer, truck, Recreational Vehicle and special vehicle

AL1080/AL1080C Side Marker, End Out-line Marker Lamp **ADR RoHS CE**

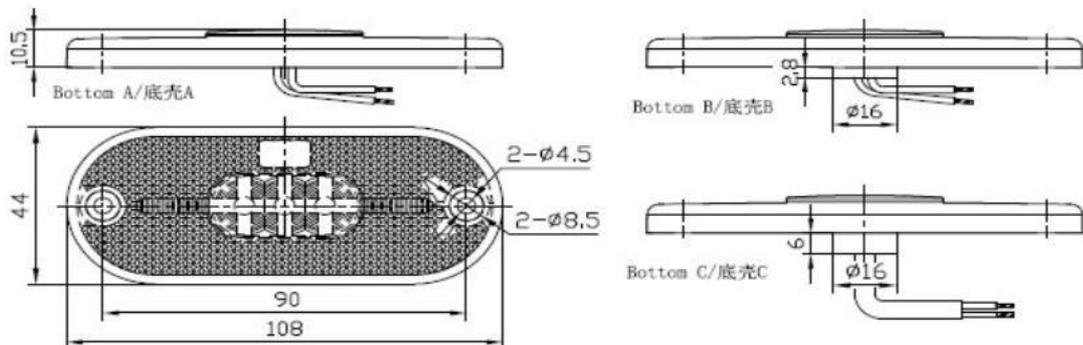
Description: Slim design, creative structure, not only meet to ADR special requirement, but also comply with ECE, SAE, GB requirements. ADR approval and E-mark approval

P/N	Part Name	Photo	Approval、Comment
AL1080-FMR	Front position With Retro-reflector		ò ECE R7 ò 3+2pcs LEDs white
AL1080C-FMR			ò ADR49; ECE R7 ò 3pcs LEDs white
AL1080-RMR	Rear position With Retro-reflector		ò ECE R7 ò 3+2pcs LEDs Red
AL1080C-RMR			ò ADR49; ECE R7 ò 3pcs LEDs Red
AL1080-SMR	Side marker lamp With Retro-reflector		ò ECE R7 ò 3+2pcs LEDs Red
AL1080C-SMR-AR	Side Mark lamp Red/Amber For ADR		ò ADR45 ò 6cs LEDs Red+Amber
AL1080C-SMR	Side Marker lamp With Retro-reflector		ò ADR45; ECE R7 ò 3pcs LEDs Amber
AL1080C-SDI	Side Direction Indicator Cat5 With retro-reflector		ò ADR6; ECE R6 ò 3pcs LEDs Amber



Specifications:

- ◇ Operating Voltage: DC12V, DC24V or DC9~33V
- ◇ Operating Temperature: -40~65°C
- ◇ UV resistant PMMA outer lens
- ◇ Comply with ECE/ADR/SAE/GB requirements,
- ◇ E-mark & ADR Approval.
- ◇ Optional bottom for cable outlet position as below draft
- ◇ IP67



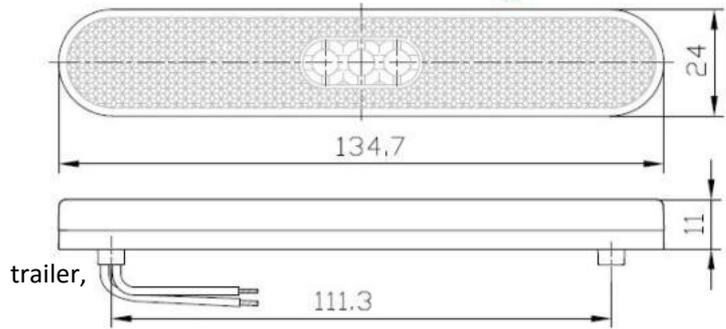
AL130 Series Side Marker, End Out-line Marker Lamp

E-mark RoHS CE



- ◇ Operating Voltage: DC12V, DC24V or DC9~33V
- ◇ Operating temperature: -40~65°C
- ◇ Light Source: 3pcs of high efficiency SMT LEDs, Amber
- ◇ IP67
- ◇ Comply with ECE/SAE/GB requirements
- ◇ E-Mark Approval
- ◇ Fixed: 3M adhesive tape, easier to fix

Application: Widely by used on Buses, trailer, truck, Recreational Vehicle and special vehicle



AL130-SMR Sider Marker Lamp



AL130-RMR Rear Position Lamp

AL27 Series LED Position Lamp, side marker lam

E-mark RoHS CE



AL27-FPL Front Position Lamp



AL27-RPL Rear Position Lamp

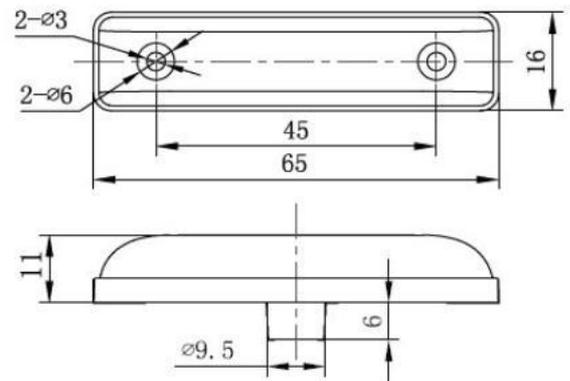


AL27-SM Side Marker Lamp

Specifications:

- ◇ Operating Voltage: DC12V or DC24V
- ◇ Operating Temperature: -40~65°C
- ◇ Light Source: 4pcs high efficiency SMT LEDs
- ◇ IP67
- ◇ Comply with ECE/ADR/SAE/GB requirements
- ◇ E-Mark Approval

Application: Widely used on Buses, trailer, truck, Recreational Vehicle and special vehicle.



AL30/AL30C Series

Position Lamp/Side Marker lamp

E-mark RoHS CE

Description: Recessed installation, easier to install, suitable for 1.0~2mm thickness of the panel, cutting size of mounting hole as below



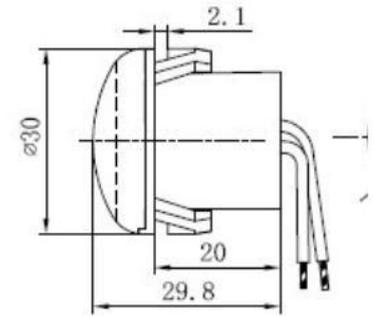
AL30-FPL
Front Position Lamp



AL30-RPL
Rear Position Lamp



AL30-SM
Side Marker Lamp



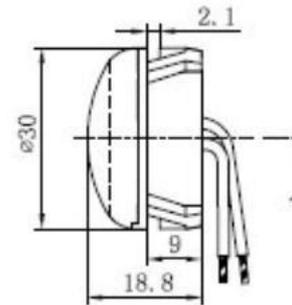
AL30C-FPL
Front Position Lamp



AL30C-RPL
Rear Position Lamp



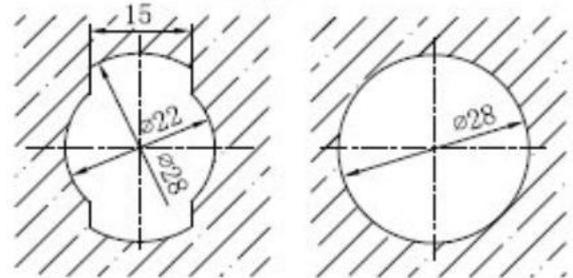
AL30C-SM
Side Marker Lamp



Specification:

- ◇ Operating Voltage: DC12V, DC24V or DC9~33V
- ◇ Operating Temperature: -40~65℃
- ◇ Light source: high power LED, 0.5W
- ◇ Outer lens: UV resistant PMMA
- ◇ IP67
- ◇ Comply with ECE/ADR/SAE/GB requirements
- ◇ E-mark approval
- ◇ Applications: Widely used on Buses, trailer, truck, Recreational Vehicle and special vehicle.

开孔尺寸/Panel Cut



方案1

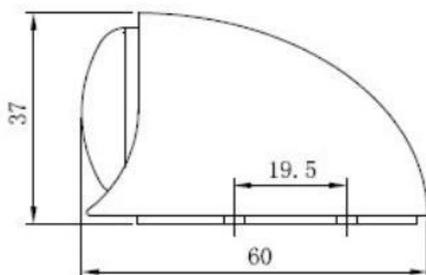
方案2

AL30 Series Position Lamp with surface mounting housing

Description: Consist of AL30 lamp and surface mounting housing, suit to fix on the top of the vehicle. Optional Color for surface mounting housing: white, black or customized



Specification: See Above



AL30-FPL+H

Front Position Lamp



AL30-RPL+H

Rear Position Lamp

AL30 Series Position Lamp/Side Marker lamp With Grommet

E-mark RoHS CE

Description: Recessed installation, suitable for 1.0~5mm thickness of the panel, cutting size of mounting hole as below.



AL30-FPL+G
Front Position Lamp



AL30-RPL+G
Rear Position Lamp



AL30-SM+G
Side Marker Lamp



Grommet

New

Specification:

◇ Operating Voltage: DC12V, DC24V or DC9-33V

◇ Operating Temperature: -40~65°C

◇ Light source: high power LED, 0.5W

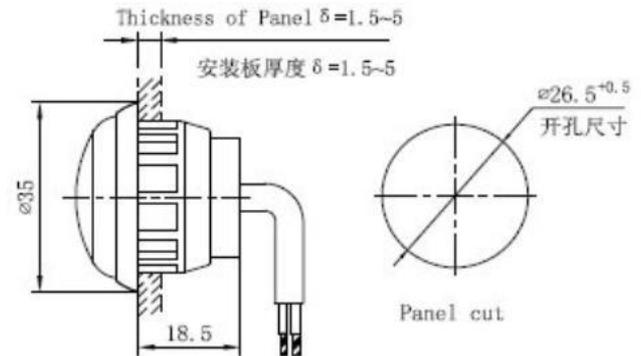
◇ Outer lens: UV resistant PMMA

◇ IP67

◇ Comply with ECE/ADR/SAE/GB requirements

◇ E-mark approval

Applications: Widely used on Buses, trailer, truck, Recreational Vehicle and special vehicle.



AL30-SDI Side Direction Indicator Cat5.

◇ Operating Voltage: DC12V, DC24V or DC9~33V

◇ Operating Temperature: -40~65°C

◇ Light source: high power LEDs, 0.5W

◇ Outer lens: UV resistant PMMA

◇ IP67

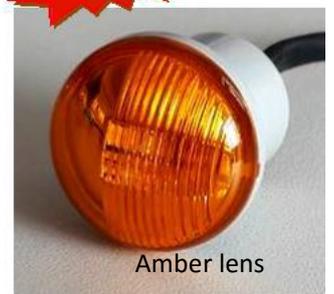
◇ Comply with ECE/ADR/SAE/GB requirements

◇ E-mark approval (Category 5)

Applications: Widely used on Buses, trailer, Truck, Recreational Vehicle and special vehicle.



Clear lens



Amber lens

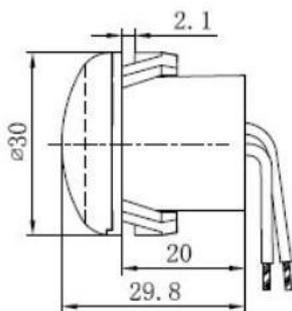
AL30-SDI-C

AL30-SDI-C-3M with 3M tape

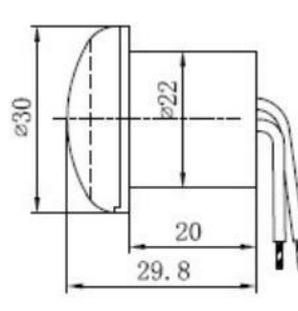
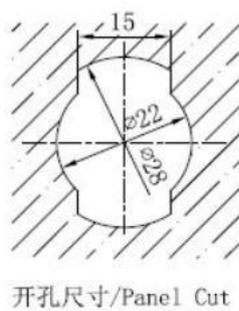
AL30-SDI

AL30-SDI-3M with 3M tape

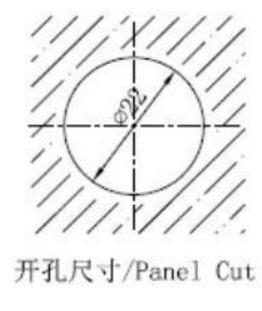
Installation: 3M tape or Recessed Installation, the cutting size of mounting hole as below draft



Recessed Installation



Fixed with 3M tape



AL28 Series

LED Position Lamp

E-mark RoHS CE

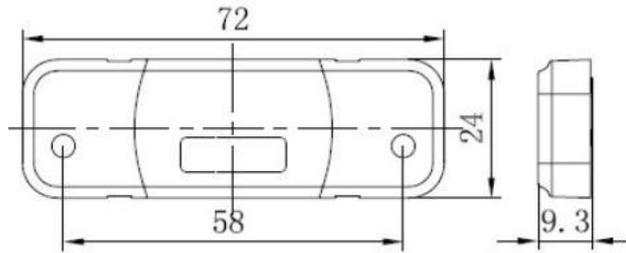


AL28-RPL Rear Position Lamp



AL28-FPL Front Position Lamp

- ◇ Operating Voltage: DC12V or DC24V
- ◇ Operating Temperature: -40~65°C
- ◇ Light Source: 2pcs of high efficiency SMT LEDs
- ◇ IP67
- Comply with ECE/ADR/SAE/GB requirements,
- ◇ E-Mark approval
- ◇ Fixed: Permanent mount or more convenient to fix with 3M tape



S3-028 LED High Mounted Stop Lamp

E-mark RoHS CE

Description: 9mm Slim design, more suitable for small place or space which have limitation

S3-028 Red lens, Sided wire

S3-028-M Red lens, Center wire

S3-028-C White lens, Sided wire

S3-028-CM White lens, Center wire

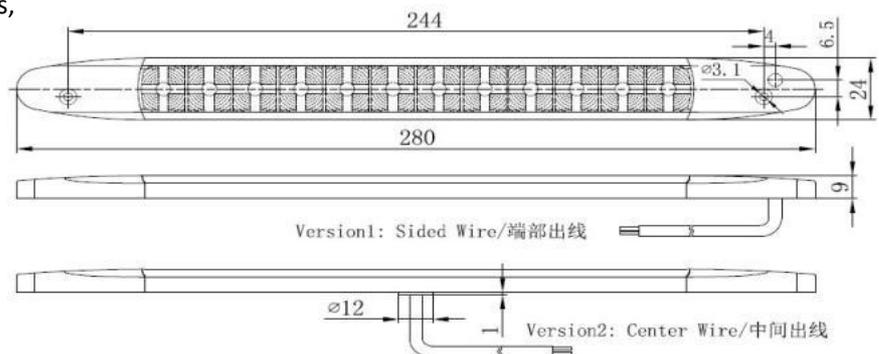


Specifications:

- ◇ Operating Voltage: DC12V or DC24V
- ◇ Operating Temperature: -40~65°C
- ◇ Light Source: 12 PCS of high efficiency SMT LEDs
- ◇ UV resistant PC outer lens
- ◇ Optional outer Lens color: Red or Clear
- ◇ IP67
- ◇ Comply with ECE/ADR/SAE/GB requirements
- ◇ E-Mark approval
- ◇ Fixed: Permanent mount or more convenient to fix with 3M tape



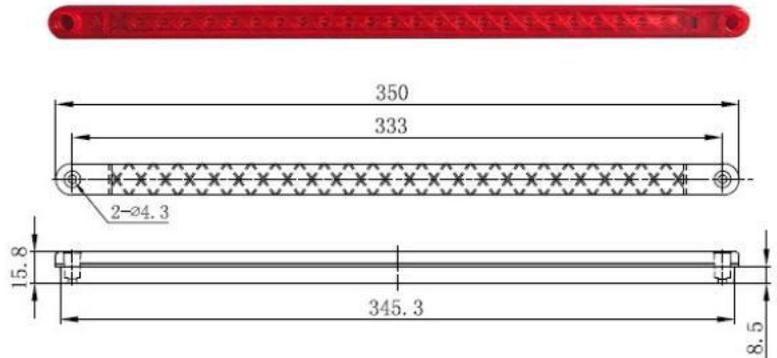
Application: Widely used on buses, trailers, trucks, Recreational Vehicles and special vehicles.



S3-027 LED High Mounted Stop Lamp

E-mark RoHS CE

- ◇ Operating Voltage: DC12V or DC24V
- ◇ Operating Temperature: -40~65°C
- ◇ Light Source: 24pcs of high efficiency LEDs
- ◇ UV resistant PC outer lens
- ◇ Outer lens color: red or clear
- ◇ IP67
- ◇ Comply with ECE/ADR/SAE
- ◇ Recessed Installation



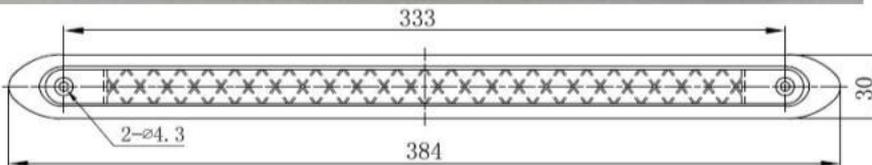
S3-027 LED High Mounted Stop Lamp with surface mounting

Description: Consist of S3-027 high mounted stop lamp and surface mounting housing. Fix the lamp and the housing together on the vehicle, easy more and beautiful. The color can be customized to match the color of the vehicle



Surface mounting housing:

- ◇ UV resistant
- ◇ Optional Color: white black or customized.



S3-029 LED High Mounted Stop Lamp

Description: Slim design, Surface mounting, easy to install

- ◇ Operating Voltage: DC12V or DC24V
- ◇ Operating Temperature: -40~65°C
- ◇ Light Source: 18PCS of high efficiency SMT LEDs



- ◇ UV resistant PC outer lens
- ◇ Optional outer lens color: Red or Clear
- ◇ IP67
- ◇ Comply with ECE/ADR/SAE/GB requirements
- ◇ E-Mark approval

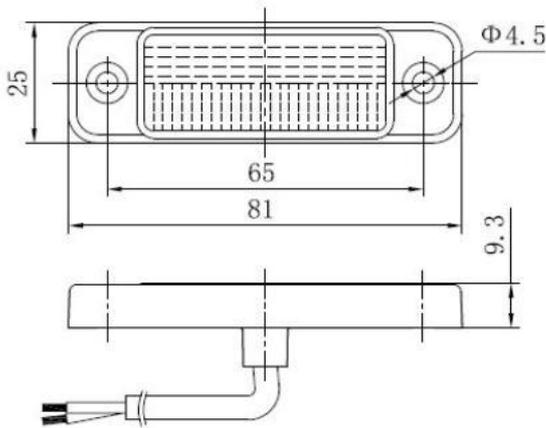


AL25-LP LED License Plate Lamp

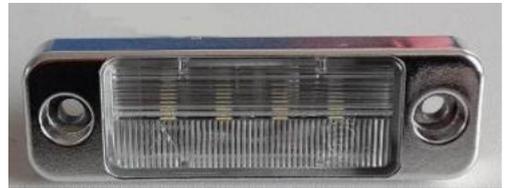
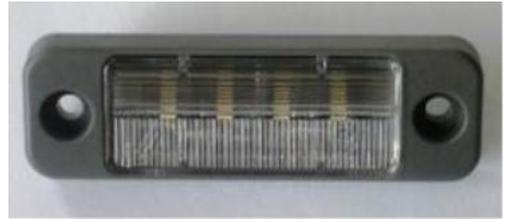
- ◇ Operating Voltage: DC12V, DC24V or DC9~33V
- ◇ Operating temperature: -40~65°C
- ◇ Light Source: 4pcs of high light efficiency SMT LEDs,
- ◇ IP67
- ◇ Comply with ECE/ADR/SAE/GB requirements
- ◇ E-Mark approval

Application: Widely used on Buses, trailer, truck ,
Recreational Vehicle and special vehicle.

Remark for Installation: a couple of lamps, please reference
to the specification on the certificate



E-mark RoHS CE



Chromed housing

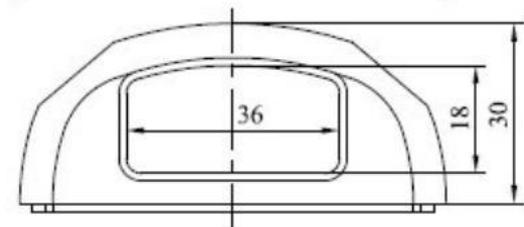
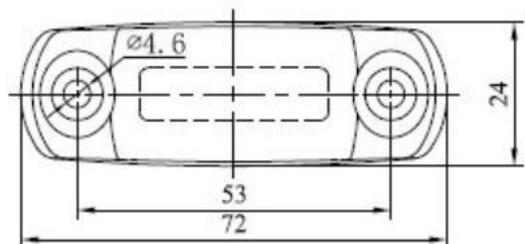


C02-LP LED License Plate Lamp

- ◇ Operating Voltage: DC12V, DC24V or DC9~33V
- ◇ Operating temperature: -40~65°C
- ◇ Light Source: 4pcs of high light efficiency SMT LEDs.
- ◇ IP67
- ◇ Comply with ECE/ADR/SAE/GB requirements
- ◇ E-Mark approvable

Application: Widely used on Buses, trailer, truck ,
Recreational Vehicle and special vehicle.

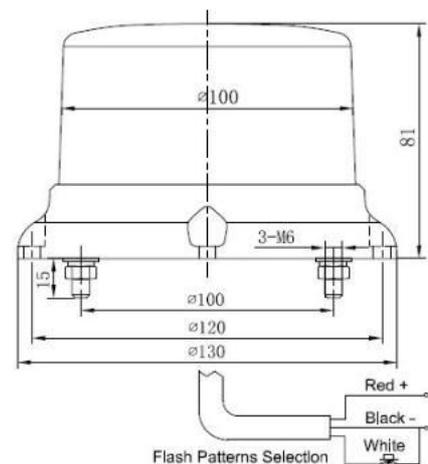
Remark for Installation: a couple of lamps, please
reference to the specification on the certificate



Description: Application of the latest patent technology, meeting to ECE R65&SAE J845 requirements, the beacon has even and continuous and very strong light in a horizontal 360° degree.



P/N	Color	Standard	Fixed	Approval	Power	Picture
BL100-A	Amber	ECE R65 Class1	Permanent	E-mark ECE R65 ECE R10.04	25W max	
BL100-A-M		SAE J845 Class1	magnet			
BL100-A-DIN		EMC R10.04&CIS PR25	DIN mounting			
BL100-BL	Blue	ECE R65 Class1	Permanent	ECE R10.04	25W max	
BL100-BL-M		SAE J845 Class1	magnet			
BL100-BL-DIN		EMC R10.04&CIS PR25	DIN mounting			
BL100-R	Red	ECE R65 Class1	Permanent	E-mark ECE R10.04	25W max	
BL100-R-M		SAE J845 Class1	magnet			
BL100-R-DIN		EMC R10.04&CIS PR25	DIN mounting			



Specs&Feature:

- ◇ Operating Voltage: DC9~33V
- ◇ Operating Temperature: -40~65℃
- ◇ Light source: 12*3W high power LEDs
- ◇ Light color: Amber, blue, red light or other customized light
- ◇ 360°strobe, Built-in Flasher with 9 Flash light patterns(optional), PC programmable control, comply with ECE R65 requirements, including standard quad flash, double flash, also with a simulative Rotating pattern, or other customized flash patterns
- ◇ Option Flash light pattern, by using the White wire to touch the Black wire“-”
- ◇ Multiple beacons may be connected to provide synchronous or alternate flash patterns.
- ◇ Reverse polarity protect.
- ◇ UV resistant of PC outer lens and Aluminum alloy die-cast bottom, with powder coated finished; stainless steel hardware
- ◇ IP67 Rated
- ◇ Compliance with ECE R10.04 for EMC
- ◇ Fixed: Permanent mount, magnetic base with Cig plug adapter and single pole plug to spec. DIN72591(ISO 4165)

Application: It is widely used on emergency vehicles, boats, road safety , navigation lanterns, obstacle light for building.

Description: Application of the latest patent technology, according to ECE R65&SAE J845 requirement to develop, the beacon projects even and continuous light in a horizontal 360° degree and achieve a brand-new performance.

P/N	Color	Standard	Fixed	Approval	watt	
LB130-A12	Amber	ECE R65 Class1	Permanent	E-mark approval AMECA certified	27W max	
LB130-A12-M		SAE Class1	magnet			
LB130-A12-DIN		ECR R10.04	Din mounting			
LB130-BL	Blue	ECE R65 Class1	permanent	E-mark approval	27W max	
LB130-BL-M		SAE Class1	magnet			
LB130-BL-DIN		ECE R10.04	Din Mounting			
LB130-R	Red	ECE R65 Class1	Permanent	E-mark approvable	27W max	
LB130-R-M		SAE Class1	magnet			
LB130-R-DIN		ECE R10.04	Din mounting			
LB130-R/BL	Red +blue	ECE R65 Class1	Permanent	E-mark approvable	36W max	
LB130-R/BL-M		SAE Class1	magnet			
LB130-R/BL-DIN		ECE R10.04	Din mounting			

Specs & feature:

- ◇ Operating voltage: DC9~33V
- ◇ Operating Temperature: -40~65°C
- ◇ Light source: 12*3W Gen3 high power LEDs
- ◇ Light color: Red, Blue, Amber, Red & blue, Green, White etc. colored lens or clear lens
- ◇ 360°strobe, Built-in Flasher with 9 Flash light patterns, including standard quad flash and double flash also with simulative rotating pattern, or customized flash pattern.
- ◇ Optional Flash light pattern, by using the white wire to touch the negative wire(black one)
- ◇ Synchronous and Asynchronous flash patterns of two or more lamps is available
- ◇ Reverse polarity protect
- ◇ UV resistant of PC outer lens; Aluminum alloy die-cast bottom, with powder coated finished; stainless steel hardware
- ◇ IP67 Rated;
- ◇ Compliance with ECE R10.04 for EMC

Fixed: Optional Permanent mount, Pole of Din mounting and magnetic mount with Cig plug

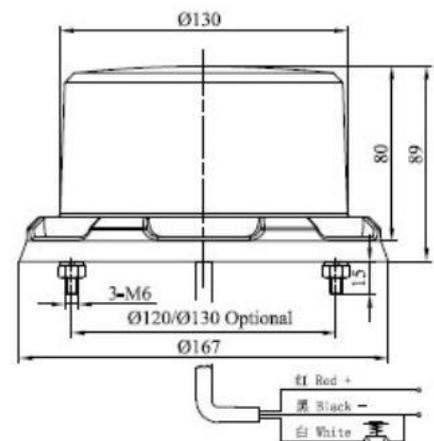
Application: It is widely used on emergency vehicles, Boats, road safety, navigation lanterns, obstacle light for building.



Magnet



DIN mounting



Optional Flash light pattern, by using the white wire to touch the Black wire"-".

LB130-A18

LED Beacon ECE R65, Class2 By day

E-mark RoHS CE

Description: Application of the latest patent technology, according to ECE R65&SAE J845 requirement to develop, the beacon projects even and continuous light in a horizontal 360° degree and achieve a brand-new performance.



LB130-A18- Magnet



LB130-A18 fixed with screw



LB130-A18- DIN mounting

Specs & feature:

- ◇ Operating voltage: DC9~33V
- ◇ Operating Temperature: -40~65°C
- ◇ Light Source: 12*3W of high light efficiency

SMT LED, ~ 36W max

- ◇ Color: Amber or other customized color
- ◇ Compliance with ECE R65 for EMC

ECE R65

Class2 by day

※Two-level light intensity (high/low) output, to meet different requirement of the day and night

- ◇ 360°strobe, Built-in Flasher with 9 Flash light patterns, including standard quad flash and double flash also with simulative rotating pattern, or customized flash pattern.

- ◇ Optional Flash light pattern, by using the white wire to touch the negative wire(black one)

- ◇ Synchronous and Asynchronous flash patterns of two or more lamps is available
- ◇ Reverse polarity protect
- ◇ UV resistant of PC outer lens;
- ◇ Aluminum alloy die-cast bottom, with powder coated finished; stainless steel hardware

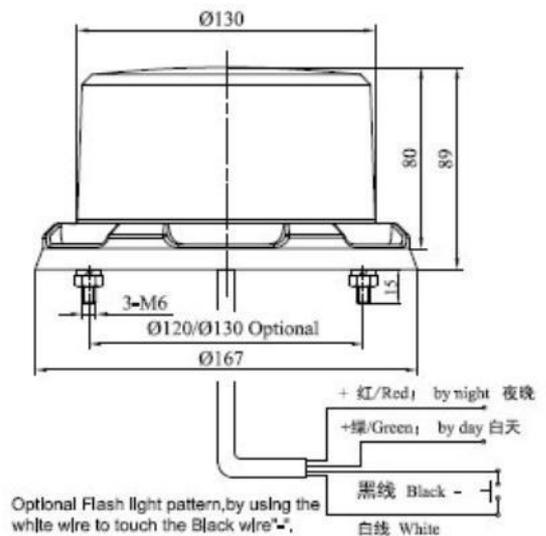
- ◇ IP67

- ◇ Fixed: Optional Permanent mount, Pole of Din mounting and magnetic mount with Cig plug

- ◇ Compliance with ECE R10.04 for EMC

- ◇ E-mark approved

Application: It was widely used on emergency Vehicles, boat, road safety , navigation lantern, obstacle light for building.



ASW01 LED Awning Lamp/Side light for Vehicle

Description: 40 degree down illumination for more efficient light on ground ,surface mount installation, IP67 for outdoor use, die-cast aluminum base to ensure good heat dissipation and lamp life.

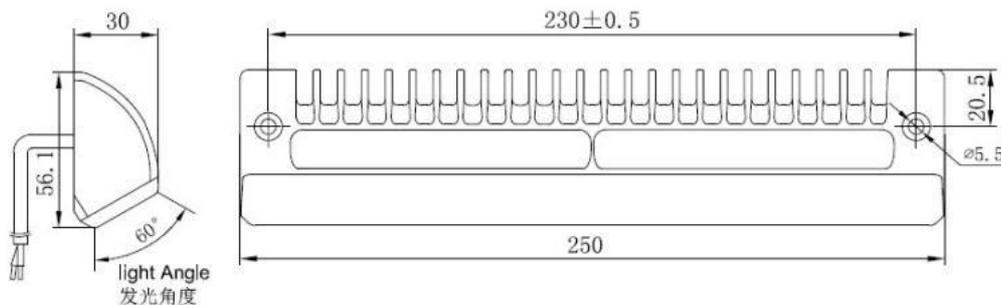


Specification:

- ◇ Operating Voltage: 10~33VDC
- ◇ Operating Temperature: -40~65°C
- ◇ Light Source: 9*3W high light efficiency LED; CRI>80
- ◇ Light Color: ~3000K warm white, 4000~4500K natural white, 6000~6500K pure white
- ◇ Luminous Flux: > 1200lm
- ◇ Light Emitting Angle: H=80°/V=60°(vertical direction of the outer lens)
- ◇ Power: ~14W, Operating Current:1.2A@12VDC; 0.65A@24VDC
- ◇ PC lens with UV-resistant;
- ◇ Aluminum die casting Base, UV and corrosion resistant painting in white / black / red (optional) or other customized color;
- ◇ IP67

Applications: widely used for shelter, cabin, motor home, caravan, refrigerator car, special vehicles mining tunnels and etc.

Dimension:



Description: 40 degree down illumination for more efficient light; Surface mount Installation, waterproof design; White or Black painted aluminum extrusion housing design makes it easily to dissipate heat, and ensures its long working life span.



P/N: SW-09 9" white housing

P/N: SW-09-B 9" black housing

P/N: SW-16 16" white housing

P/N: SW-16-B 16" black housing

Specifications:

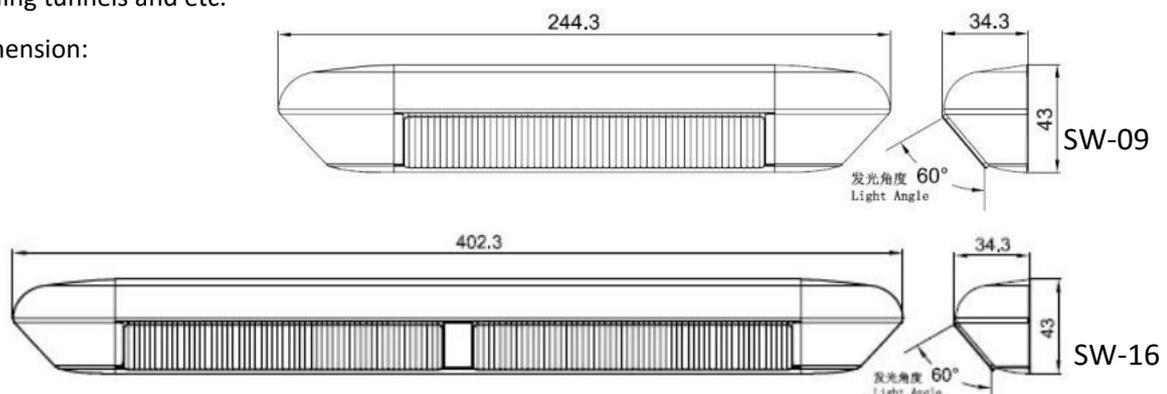
- ◇ Operating Voltage: 10~33VDC
- ◇ Operating Temperature: -40~65°C
- ◇ Light Source: high power, efficiency LED, 3W/LED, CRI > 80
- ◇ Light Color: ~3000K warm white, 4000~4500K natural white, 6000~6500K pure white

P/N	LED Qty	Power	Luminous Flux	Housing color	Remark
SW-09	6pcs	9W	800lm	white	P9016
SW-09-B				black	
SW-16	12pcs	18W	1500lm	white	P9016
SW-16-B				black	

- ◇ Light Emitting Angle: H80°/V=60°V(vertical direction of the outer lens)
- ◇ PC lens with UV-resistant
- ◇ Aluminum extrusion housing, UV resistant painting in white / black / red (optional) or other customized color
- ◇ IP67

Applications: widely used for shelter, cabin, motor home, caravan, refrigerator car, special vehicles mining tunnels and etc.

Dimension:



W-DRL06 LED Work Lamp

Product Description: Aluminum die casting housing with electrophoretic coating surface treatment to ensure a good heat dissipating and long lifetime of the lamp; comply with newest ECE R87 requirements, avoid dazzling output light design to assure your safety.



Specifications:

- ◇ Operating Voltage: 10~33VDC
- ◇ Operating Temperature: -40~65°C
- ◇ Light Source: 6 LED 1~3W high efficiency and high power LED, CRI:Ra>80
- ◇ Light Color(optional): ~3000K warm white; 400~4500K nature white; 6000~6500K nature white
- ◇ luminous flux: 750lm
- ◇ Light Emitting Angle: Light Emitting Angle: H80°/50°V
- ◇ Operating current: 0.[65mA@12VDC](#); [0.35mA@24VDC](#), Power~8W
- ◇ IP67
- ◇ Fixed: With rotatable fixed bracket

Applications: widely used for cabinet, cabin, motor home, caravan, shelter refrigerator car, special vehicles mining tunnels and Marine industry.

T-DRLO6 LED Warning Lamp

- ◇ Operating Voltage: 10~33VDC
- ◇ Operating Temperature: -40~65°C
- ◇ Light Source: 6 LED 1~3W LED
- ◇ Comply with ECE R65 requirements, amber, blue, red light or other customized
- ◇ Quality: 360°strobe, Built-in Flasher with 9 Flash light patterns(optional), single chip programmable control, comply with ECE R65 requirements(e.g:2 secs,4secs flash), including
 - ◇ standard quad flash, double flash and Rotating:180--200r/min;or other customized flash
- ◇ **Option Flash light pattern, by using the White wire to touch the Black wire“-”**
- ◇ Multiple beacons may be connected to provide synchronous or alternate flash patterns.
- ◇ Reverse polarity protect.
- ◇ UV resistant of PC outer lens and Base
- ◇ IP67
- ◇ Fixed: with rotating bracket
- ◇ Application: It is widely used on special vehicles.



Factory View



SMT Line



Lead Free wave soldering



Assembly line



Hot plate welder



Ultrasonic Welding



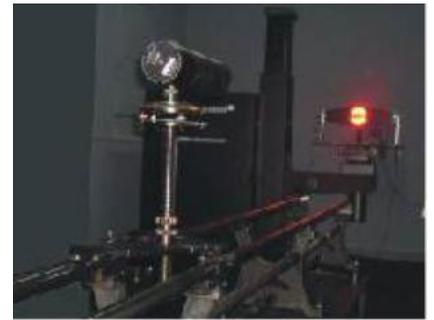
Aging Test



Environment test



Photo colorimeter



Photometric test



Salt spray test



Vibration test



Water-proof test

Cooperator



RoHS Test